



# INSTALLATION INSTRUCTIONS

Accessory

KNUCKLE GUARD  
P/N 08P70-MKP-DQ0

Application

CB500XA

Publication No.

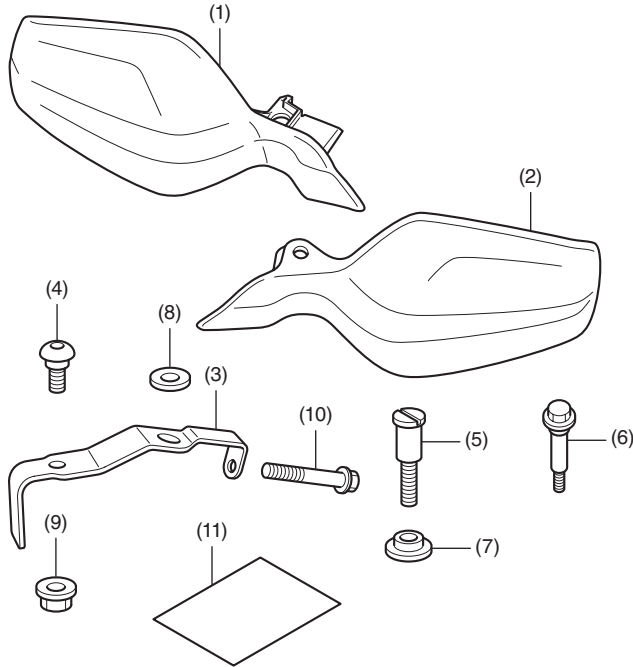
MII

Issue Date

July 2021

**Honda Dealer: Please give a copy of these instructions to your customer.**

## PARTS LIST



No.	Description	Qty
(1)	Right knuckle guard	1
(2)	Left knuckle guard	1
(3)	Left guard stay	1
(4)	6 mm socket bolt	1
(5)	Left lever pivot bolt	1
(6)	Right lever pivot bolt	1
(7)	Collar	1
(8)	Washer	1
(9)	6 mm flange nut	1
(10)	6 mm SH flange bolt	1
(11)	URL paper	1

## TOOLS AND SUPPLIES REQUIRED

- Socket (8 and 10 mm)
- Ratchet
- Open-end wrench (8 and 10 mm)
- Hex wrench (5 mm)
- Flat-tip screwdriver
- Grease
- Shop towel
- Torque wrench

## TORQUE CHART

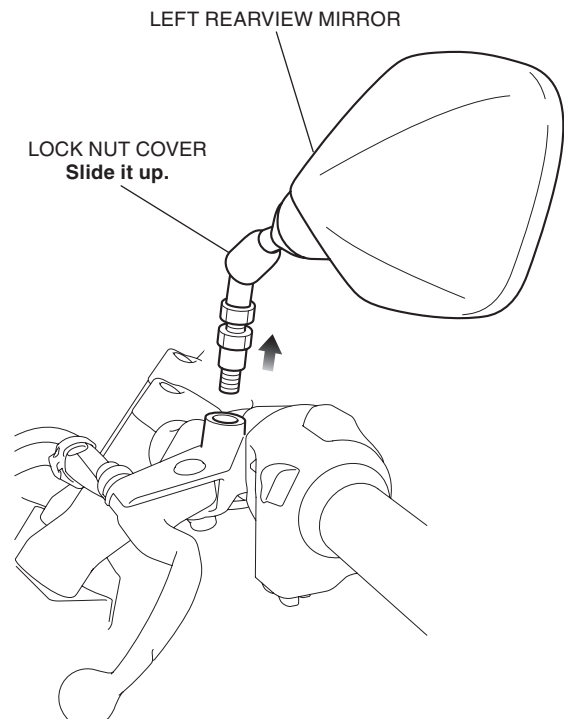
Tighten all screws, bolts, and nuts to their specified torque values. Refer to the Service Manual for the torque values of the removed parts.

Item	N-m	kgf-m	lbf-ft
Right lever pivot bolt	1	0.1	0.7
Left lever pivot bolt	1	0.1	0.7
6 mm socket bolt	10	1.0	7
6 mm SH flange bolt	12	1.2	9

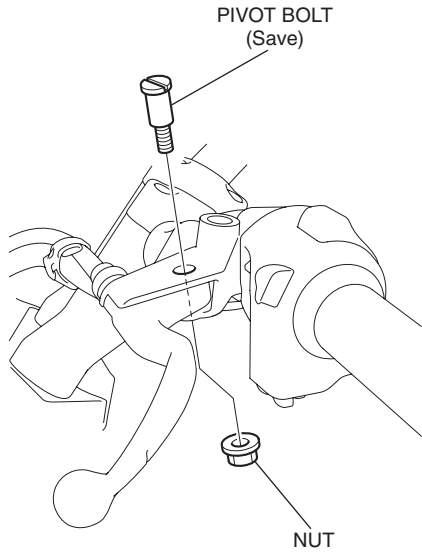
## INSTALLATION

1. Remove the left rearview mirror as shown.

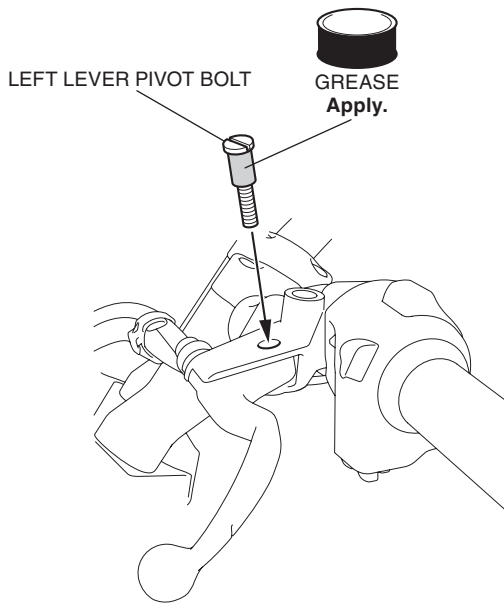
<Left side>



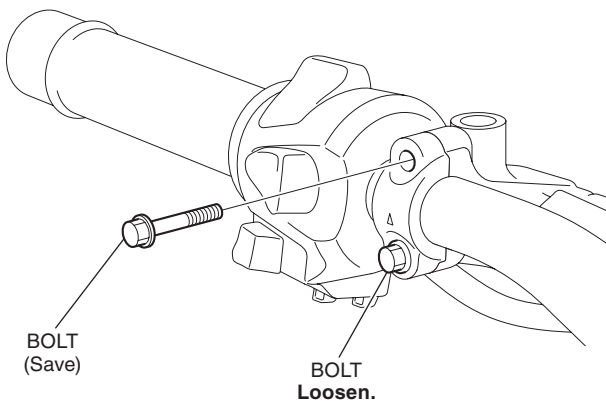
2. Remove the parts as shown.



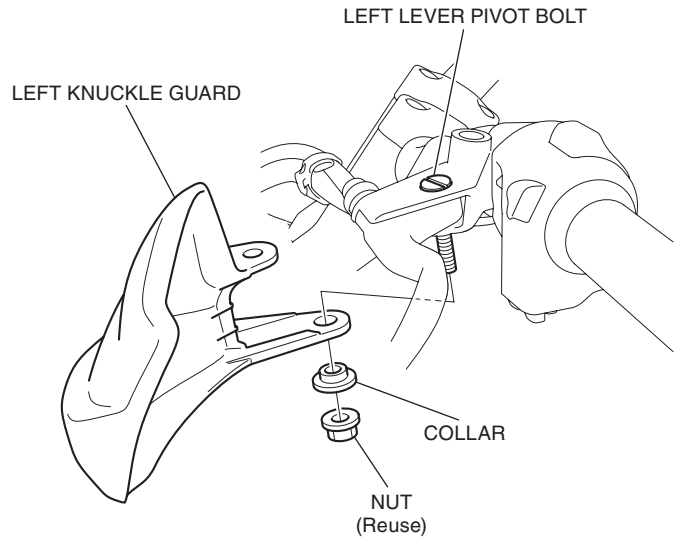
3. Install the left lever pivot bolt as shown.



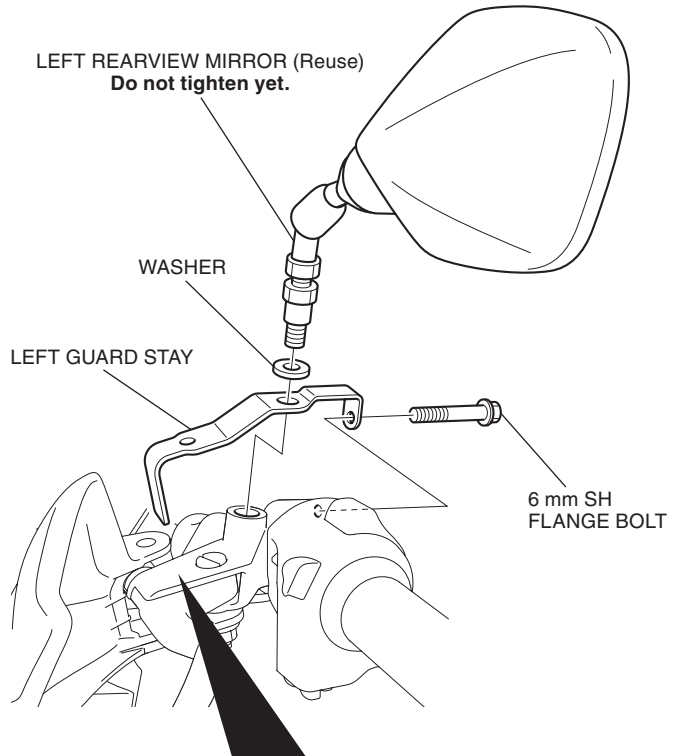
4. Remove the bolt as shown.



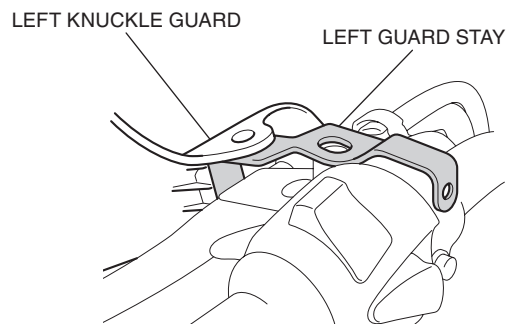
5. Install the left knuckle guard as shown.



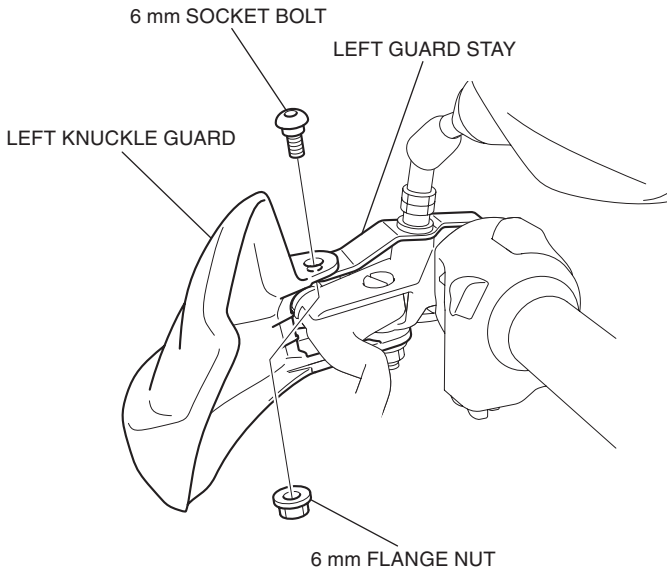
6. Loosely install the left guard stay and the left rearview mirror as shown.



**Install the left guard stay under the left knuckle guard.**



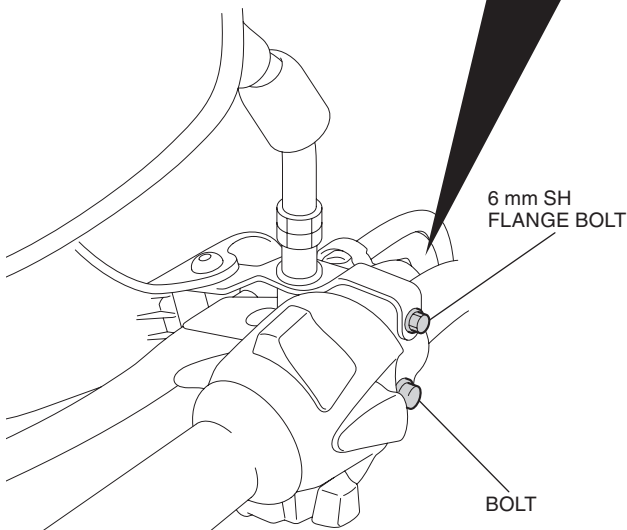
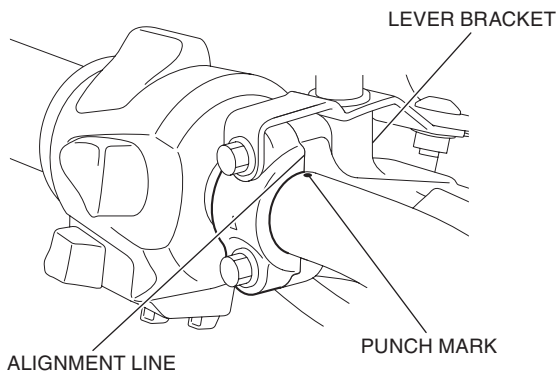
7. Install the left knuckle guard as shown.



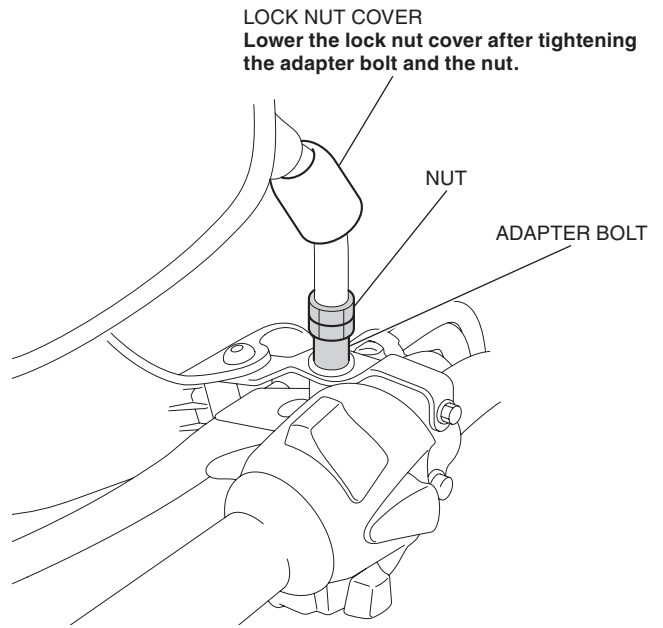
8. Tighten the bolts to the specifications in the torque chart.

- Tighten the upper bolt first, then tighten the lower bolt.

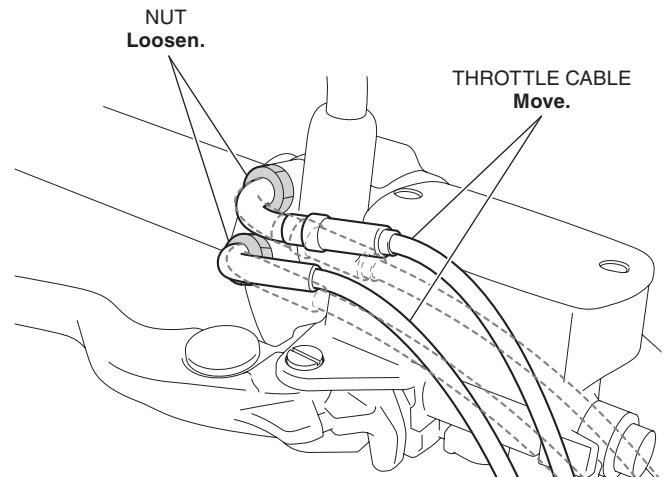
Align the edge of lever bracket with the punch mark on the handlebar.



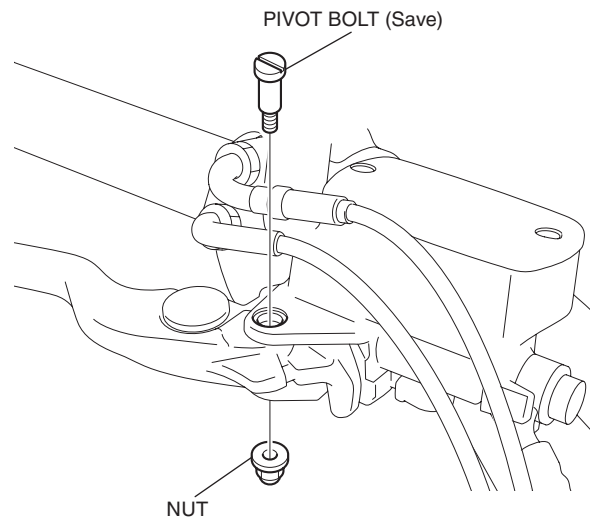
9. Tighten all loosely installed hardware to the specifications in the torque chart.



10. Move the throttle cables as shown.  
<Right side>

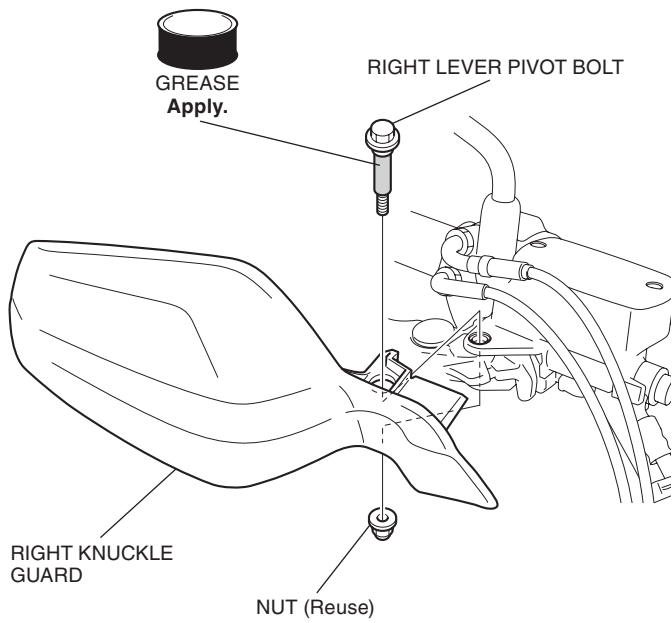


11. Remove the parts as shown.



12. Install the right knuckle guard as shown.

- **First install the right lever pivot bolt.**



13. Reposition the throttle cables and tighten the nuts securely.